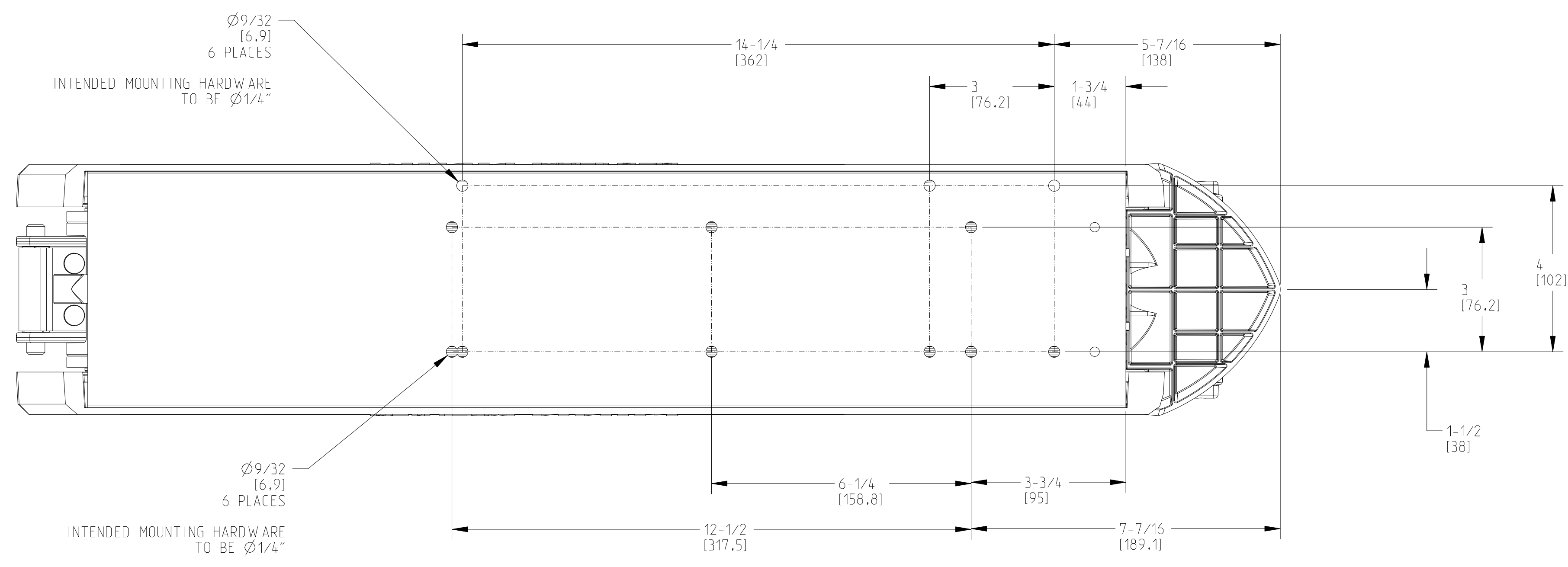
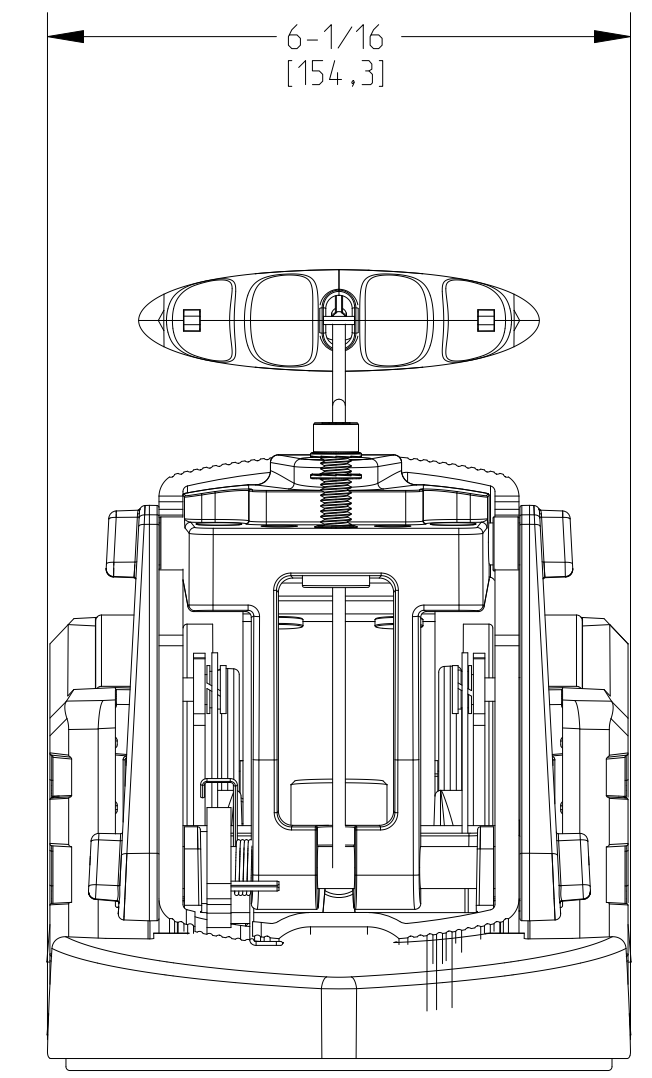
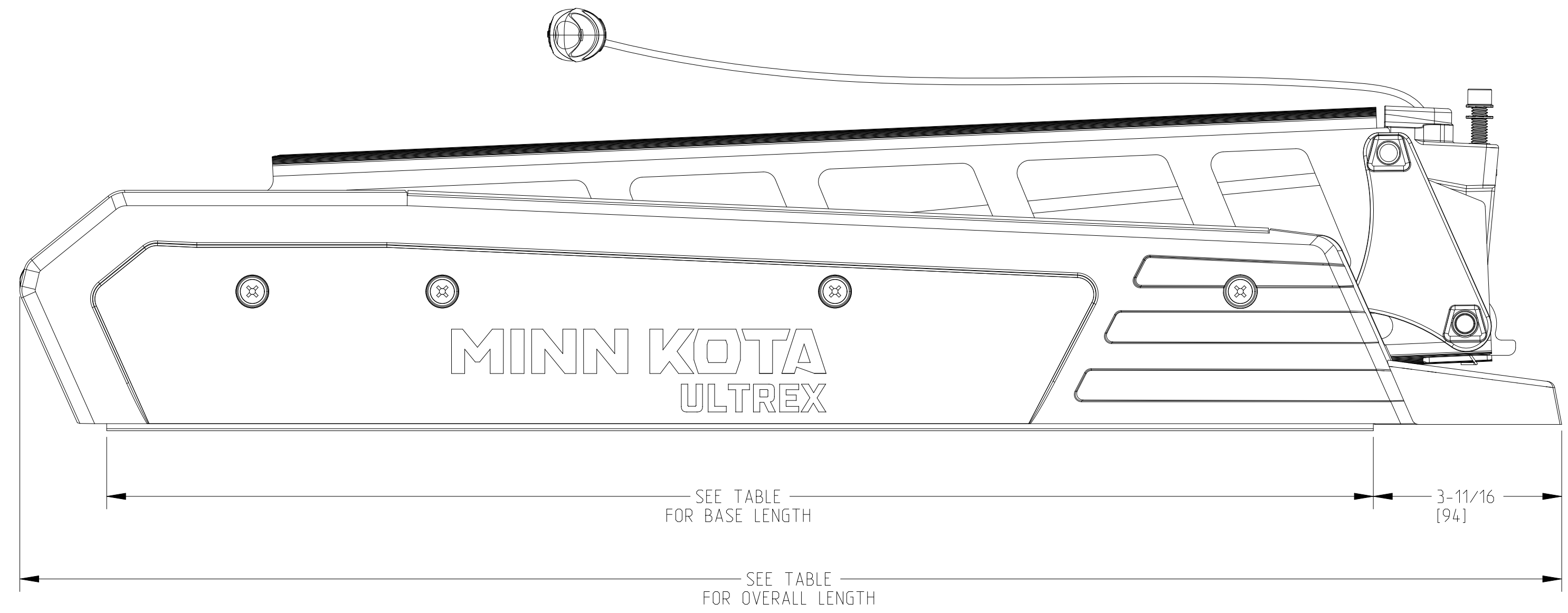
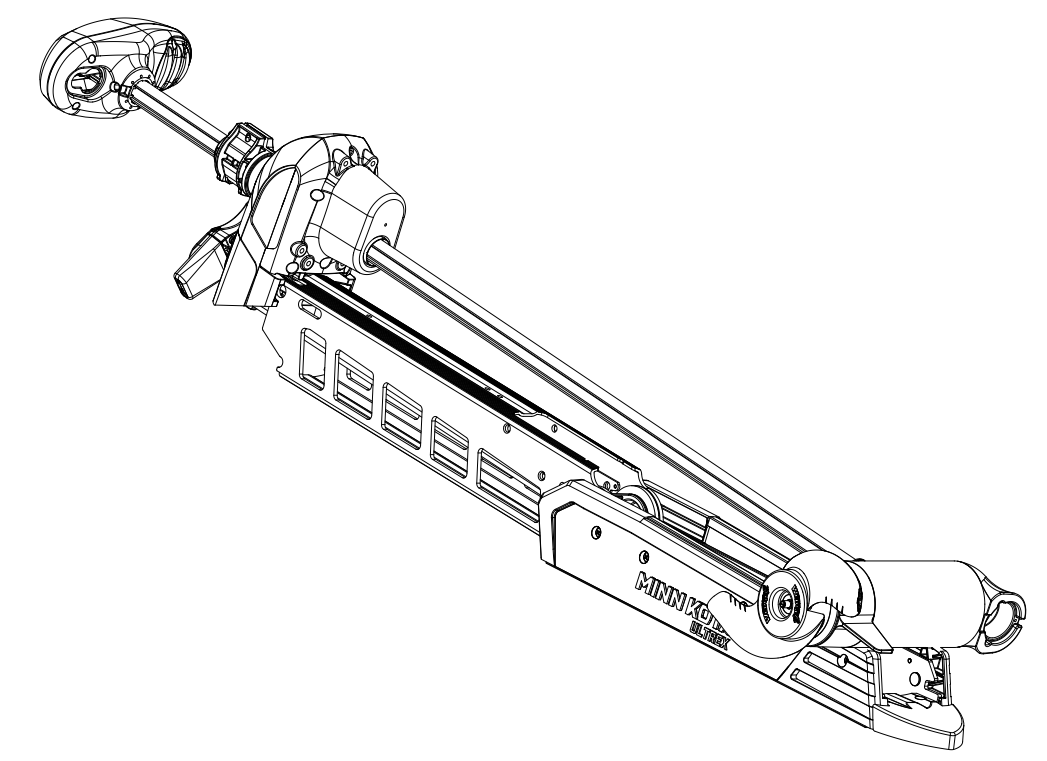


REV. ECN NO.		REVISIONS DESCRIPTION	BY	DATE
A	43802	RELEASED FOR PRODUCTION	JLA	31MAY2023
B	44115	FORMAT AND DIMENSION CHANGES	JLA	10JUL2023



MODEL	BASE LENGTH	OVERALL LENGTH
45"	21-5/16 [541]	26-11/16 [678]
52"	25 [635]	30-7/16 [772]
60"	25 [635]	30-7/16 [772]

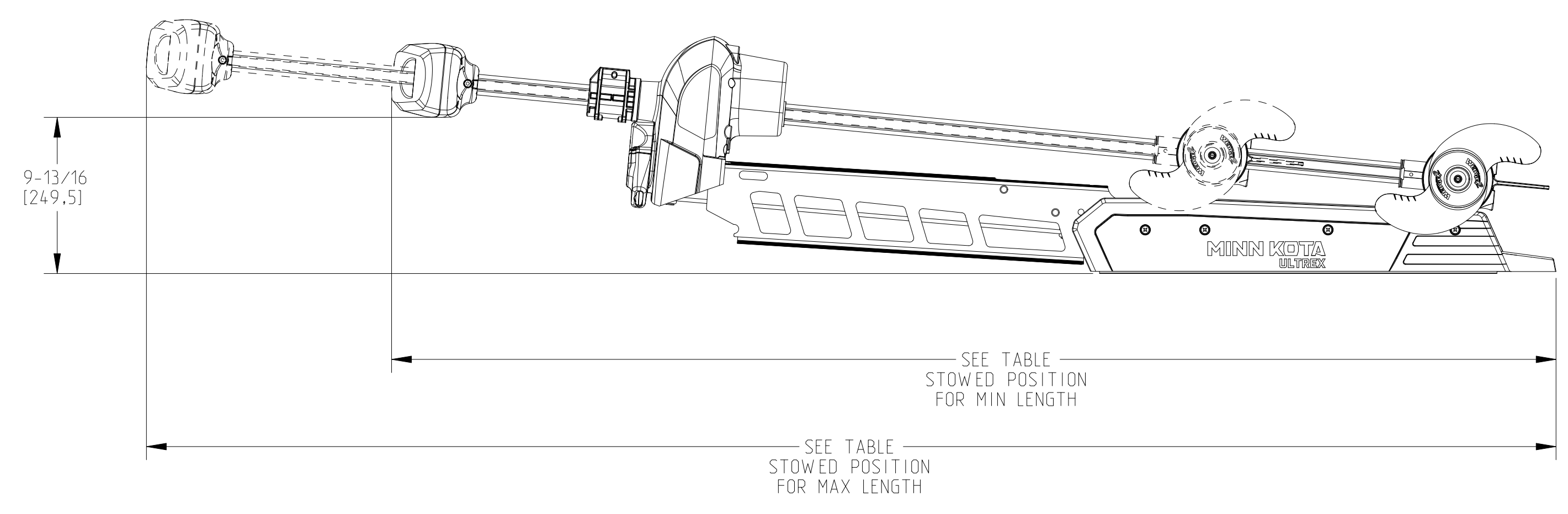
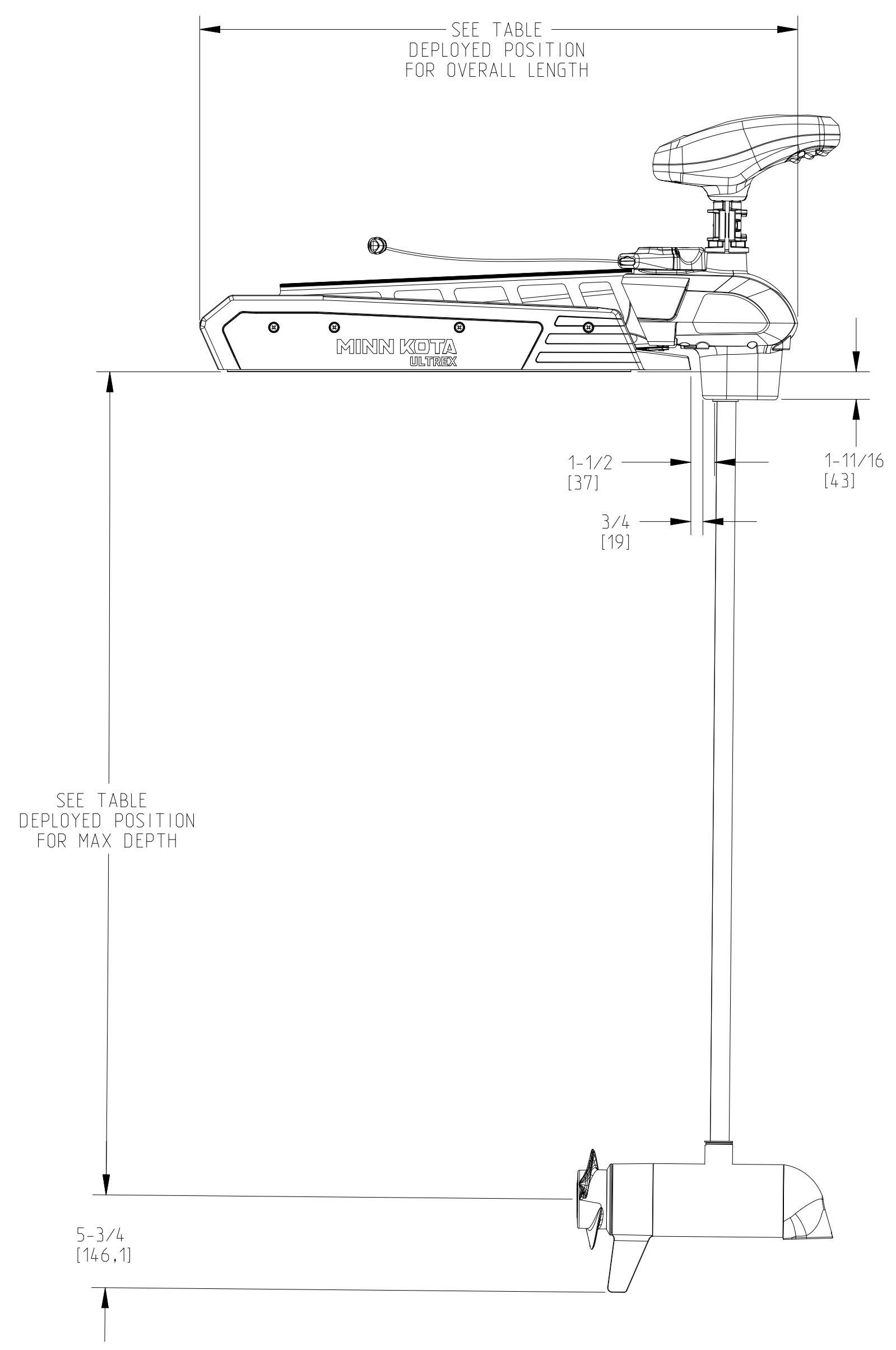
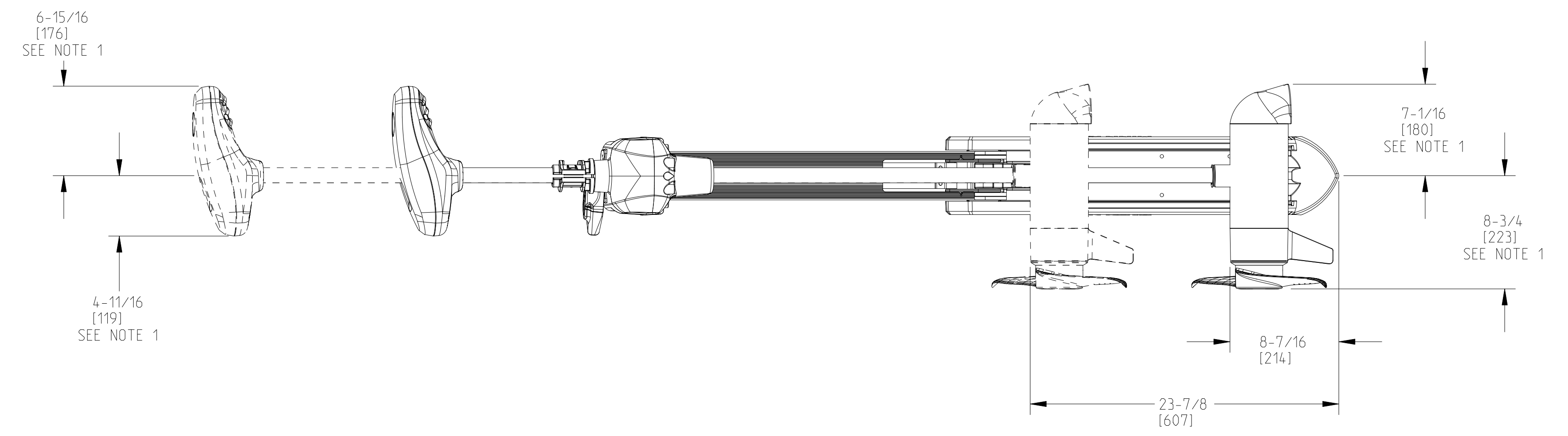
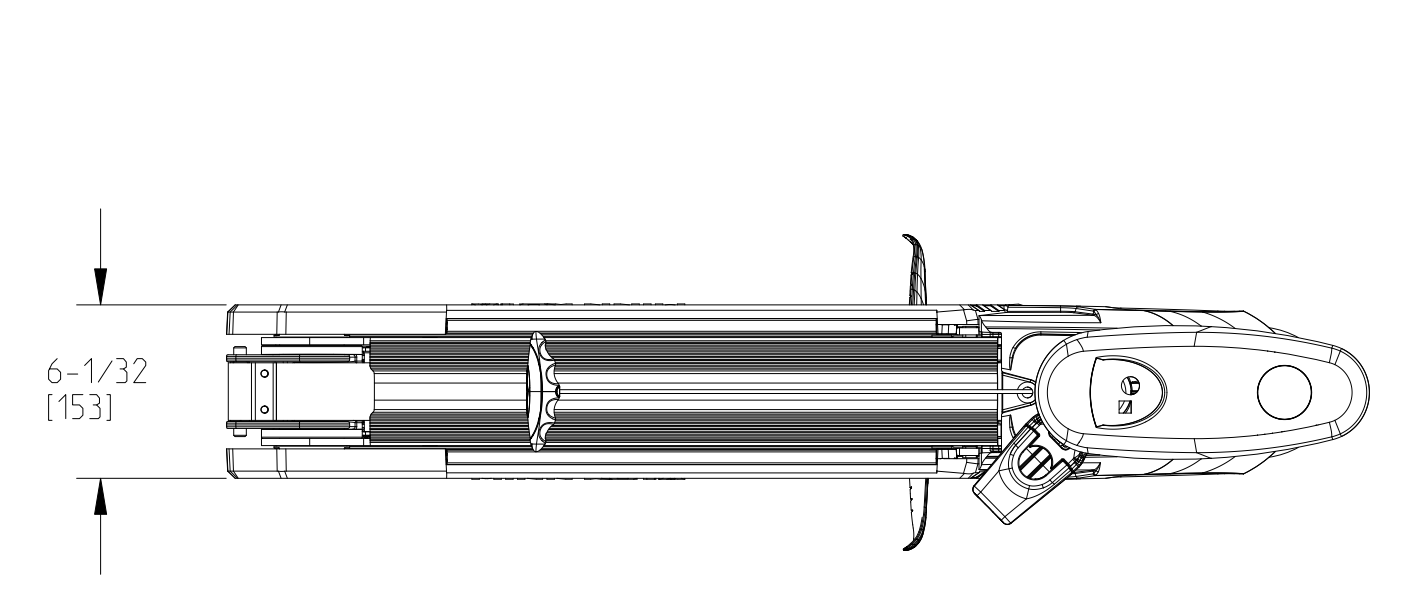
CAUTION: ALWAYS WEAR SAFETY GLASSES AND GLOVES. DISCONNECT ALL POWER BEFORE BEGINNING ANY WORK OR MAINTENANCE. JOHNSON OUTDOORS, INC. IS NOT RESPONSIBLE FOR ANY DAMAGE DUE TO IMPROPER RIGGING OR INSTALLATION. IF YOU DO NOT HAVE THE SKILLS, EXPERIENCE AND TOOLS TO PERFORM THE FOLLOWING MAINTENANCE AND REPAIRS, WE RECOMMEND YOU SEEK THE HELP OF AN AUTHORIZED SERVICE CENTER. OR CONTACT OUR TECHNICAL SERVICE DEPARTMENT BY DIALING 800-227-6433.

CUSTOMER DRAWING
 JOHNSON OUTDOORS
 MARINE ELECTRONICS, INC.
 DRAWING NAME: ULTREX 80/112
 DRAWING NO.: CD0016
 SHEET 1 OF 2
 U/A: IN. (MM)
 REV: B
 D SIZE

CD0016

REV. ECN NO.		REVISIONS	BY	DATE
		SEE SHEET ONE FOR DETAILS		

NOTES:
1. MOTOR IS ABLE TO BE ORIENTED WITH PROP ON EITHER SIDE OF MOUNT



DEPLOYED POSITION		
MODEL	OVERALL LENGTH	MAX DEPTH
45"	33-7/16 [848]	39-3/8 [999]
52"	37-1/8 [942]	44-3/8 [1126]
60"	37-1/8 [942]	51-3/8 [1304]

STOWED POSITION		
MODEL	MIN LENGTH	MAX LENGTH
45"	59-13/16 [1519]	74-3/16 [1885]
52"	66-5/16 [1684]	81-11/16 [2075]
60"	73-5/16 [1862]	88-11/16 [2253]

CAUTION: ALWAYS WEAR SAFETY GLASSES AND GLOVES. DISCONNECT ALL POWER BEFORE BEGINNING ANY WORK OR MAINTENANCE. JOHNSON OUTDOORS INC. IS NOT RESPONSIBLE FOR ANY DAMAGE DUE TO IMPROPER RIGGING OR INSTALLATION. IF YOU DO NOT HAVE THE SKILLS, EXPERIENCE AND TOOLS TO PERFORM THE FOLLOWING MAINTENANCE AND REPAIRS, WE RECOMMEND YOU SEEK THE HELP OF AN AUTHORIZED SERVICE CENTER. OR CONTACT OUR TECHNICAL SERVICE DEPARTMENT BY DIALING 800-227-6433.

CUSTOMER DRAWING
 JOHNSON OUTDOORS
 MARINE ELECTRONICS, INC.
 DRAWING NAME: ULTREX 80/112
 DRAWING NO: CD0016
 SHEET OF: 1
 U/A: IN. (MM)
 REV: B
 D SIZE